

T95

HORIZONTAL DIESEL FIRED BOILERS

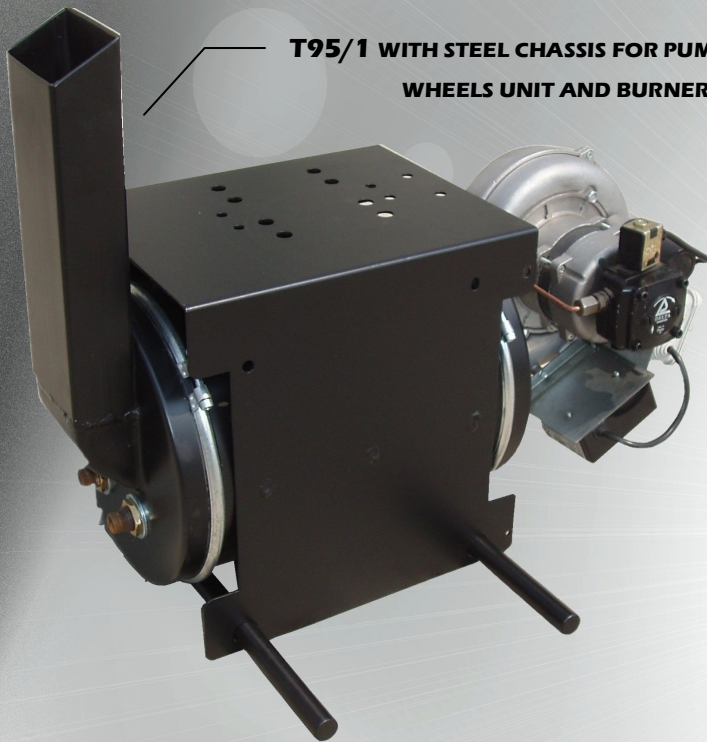
T95 series horizontal dry-back boilers engineered by TREX Srl attract attention on the marketplace as an ideal solution for small and medium capacity pressure washers due to their reduced costs, their reliability and good combustion qualities.

They can be operated with burners of any make or model and besides that, they don't need any kind of steel chassis as they themselves can be used as a mounting support for motor and pump units, outer shell wheels, electric system modules.

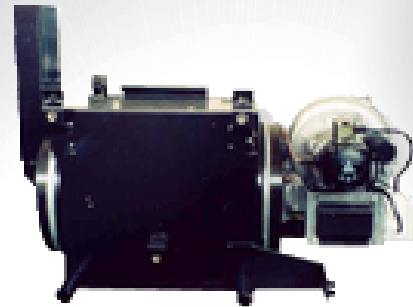
They are certain to be able to minimize assembly times and don't require a large number of suppliers.

TREX Srl has been engineering coils and boilers for pressure washers and can guarantee its customers that the whole manufacturing and assembling process is kept in house.

Besides, we offer customer tailored solutions, customizing boilers with optional components, such as various supports and fixings to facilitate the pressure washer assembling process.



**T95/1 WITH STEEL CHASSIS FOR PUMP/MOTOR UNIT,
WHEELS UNIT AND BURNER**

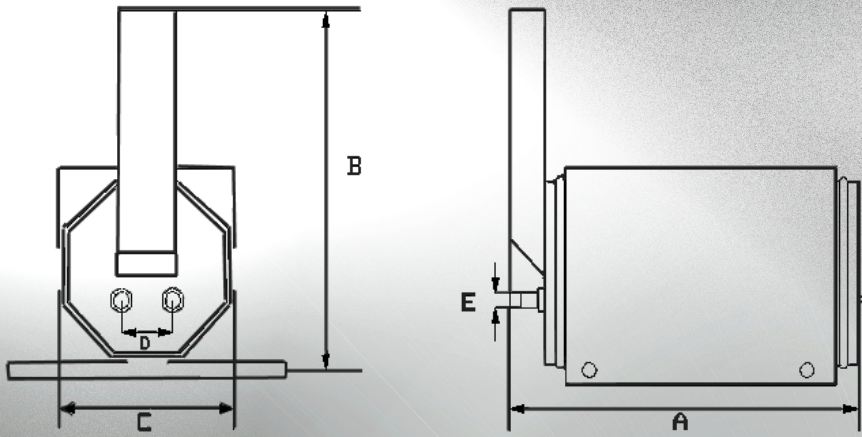


**T95/2 - AN EXAMPLE OF A STEEL
FRAMEWORK (CHASSIS)**



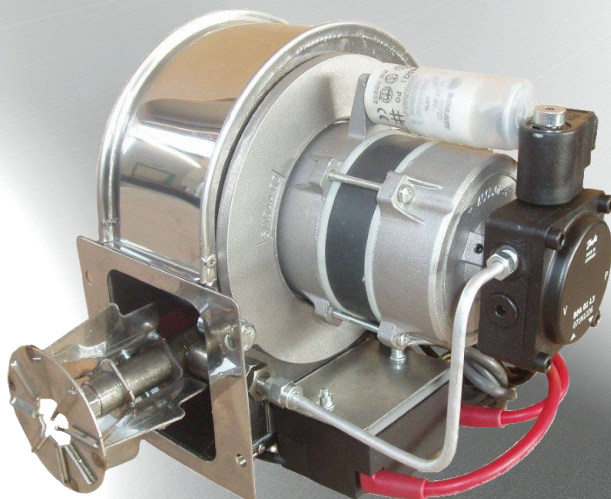
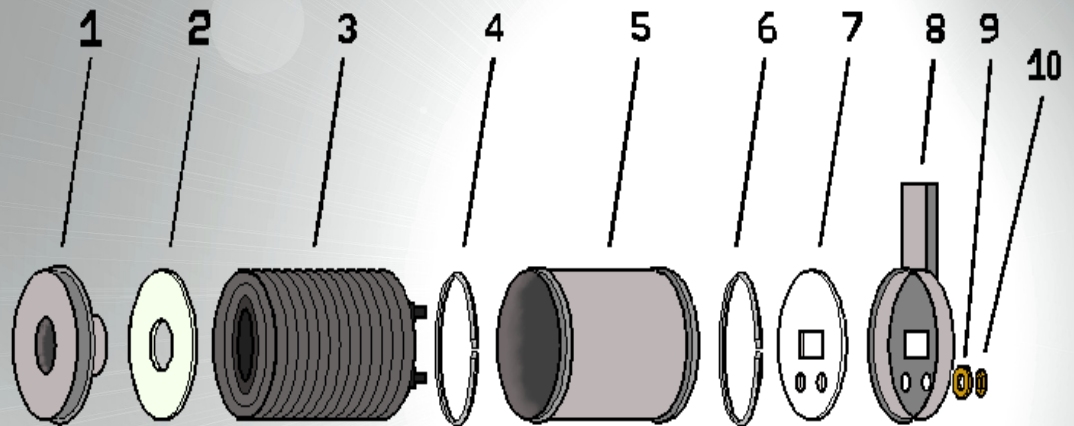
**T95/1 - WITH STEEL CHASSIS FOR
PUMP/MOTOR UNIT, WHEELS UNIT
APPLICATION EXAMPLE**

Model	Recommended Water throughput (litres)	Fuel Nozzle max (USgal/h)	Fuel Consumption (kg/h)	Theoretical thermal capacity (Kcal/h)	Efficiency max (%)	Maximum operating pressure (Bar)	Weight (Kg)
T95/1	6-8	0.75	2,85	29.100	88	200	30
T95/2	8-10	0.85	3,23	33.000	89	200	35
T95/3	10-12	1.00	3,8	38.800	89	200	40



MODEL	A (mm)	B (mm)	C (mm)	D (mm)	E (mm)
T95/1	380	500	240	70	3/8"
T95/2	460	500	240	70	3/8"
T95/3	510	500	240	70	3/8"

T95 series boilers have been engineered by TREX Srl with priority objectives in reducing boiler costs and dimensions. It was achieved by component simplification without any quality losses, thus ensuring good reliability and combustion efficiency. Boiler's maximum outlet water temperature is 90°-100°C and depends on the water throughput rate.



T95 standard baseline model can be supplied with optional components, such as customized metal supports and fixings. In this case the provided figures are purely indicative and are referred to the baseline model.

When engineering this model TREX Srl tried to make it versatile. Our top-priority objective was to give our customers a possibility to customize and modify this boiler so that it could meet their needs.

The table on the left shows the boiler's dimensions excluding burner. The latter can be installed directly by TREX Srl or bought from third parties. In this case TREX Srl will verify its conformity and run a compatibility test to authorize its installation and use on T95.

The customer receives T97 series boilers fully assembled (with semi-gloss black outer-shell finish, complete with threaded inserts and other components on request) and ready to be installed inside the pressure washer. All safety rules and instructions required by law, regulations or standards must be observed before running the product to ensure safety and reliability.

Horizontal boilers manufactured by TREX Srl come in different versions: complete with a standard type burner or with a specific nominal voltage burner.

This boiler type is maintenance-friendly, as it can be disassembled quickly by loosening just a couple of screws.

Its versatile construction allows and encourages the customer to collaborate with TREX Srl during the pressure washer designing stage.

A good project development allows to sustain the nominal prices and cut extra assembling and installation costs for the final customer.

TREX Srl reserves the right to modify, without prior notice, any technical features of the boilers it deems expedient.

ALL PROVIDED DATA, CHARTS, GRAPHS AND FIGURES ARE PURELY INDICATIVE AND NOT ABSOLUTE.