

# T3000

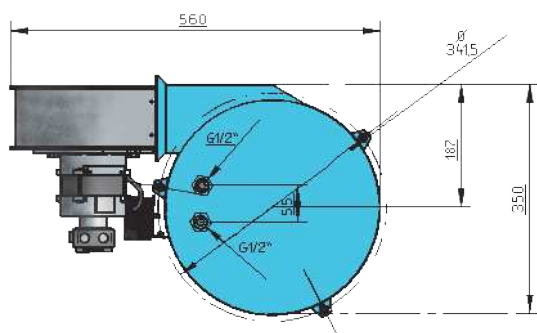
## VERTICAL DIESEL FIRED BOILERS

T3000 series vertical diesel fired boiler represents a noticeable upgrade of the T2000 series model, which led to the creating of a unrivalled boiler on the market in terms of power, efficiency and dimensions. The inner structure is made of galvanized steel, whereas the jacket and the high capacity ventilation cochlea are built with 430 stainless steel. This boiler uses the reverse flame principle. It features a cooling air jacket which covers the entire boiler (bottom included). So the hood never gets overheated during the working cycle.

T3000 series boilers are versatile as they offer customer tailored solutions that include supports or other specific fixing units, a left-hand or right-hand air intake, and even outer shell paint coating on request. The first three models (T3000/1, T3000/2 and T3000/3) feature a carbon steel tube helicoil 17.2x2.35 mm. The fourth, T3000/4, features a standard 21.25x2.7 mm tube carbon steel coil.

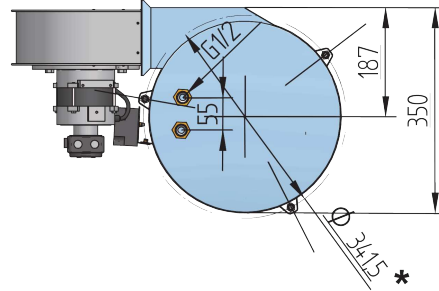
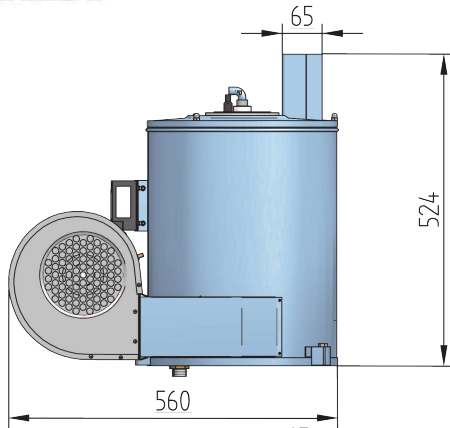
### Technical specifications:

- 2-pipe fuel pump;
- 60°S fuel nozzle;
- Ceramic single-pole ignition electrodes;
- Standard type electronic transformer, induction transformer on request;
- Shielded high-voltage cables;
- 150 Watt electric motor;
- Aluminum fuel pipe (OD 5 mm SCH 1,25 mm);
- Carbon steel or 304 stainless steel coil tube;
- 160x80 fan;
- Standard counterclockwise fan rotation - clockwise rotation on request;
- Right-hand or left-hand air intake position;
- 5 mm high-temperature refractory concrete fiber blanket;
- Additional supports or other specific fixing units;
- Paint coating (optional);
- Standard nominal voltage 230V/50Hz;
- Optional specific nominal voltages 12V, 24V, 200V, 380V;
- Electronic flame control unit (optional).

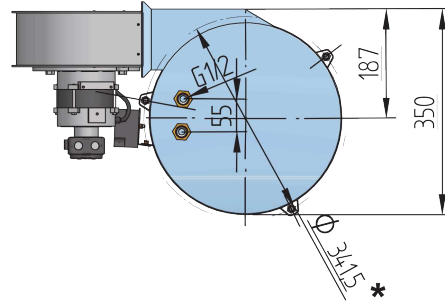
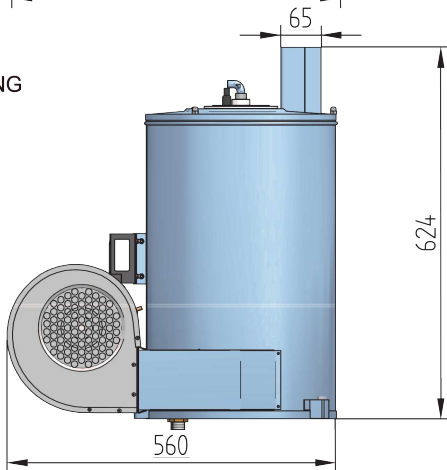


T3000	1	2	3	4
Nozzle (USgal/h)	1,35	1,65	2,00	2,25
Fuel Consumption (lt/h)	6,11	7,47	9,05	10,18
Fuel Consumption (kg/h)	5,13	6,27	7,60	8,55
Thermal capacity (kcal)	52.300	64.000	77.500	87.200
Power (MJ/h)	218,93	267,9	324,42	365,02
Power (kW)	60	75	90	105
Water flow (lt/min)	12-13	14-18	19-23	24-28
Weight (Kg)	45	55	65	70

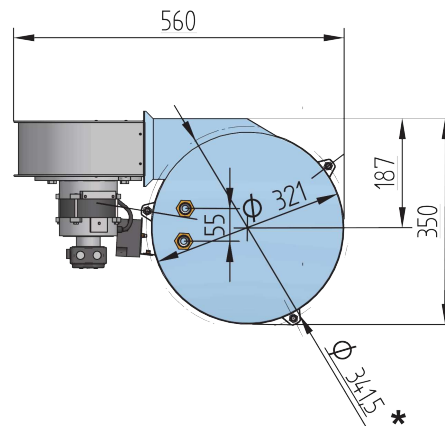
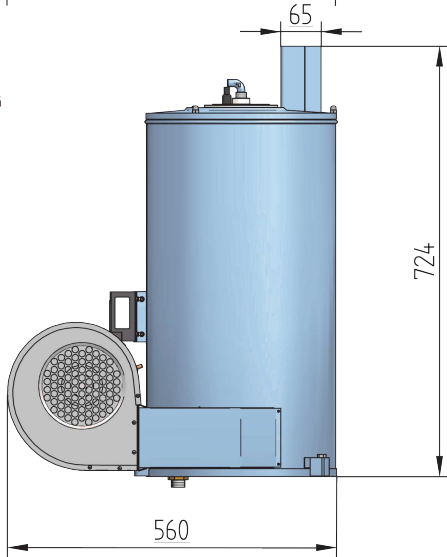
**T3000/1**  
3/8" PIPE  
21 MT LONG



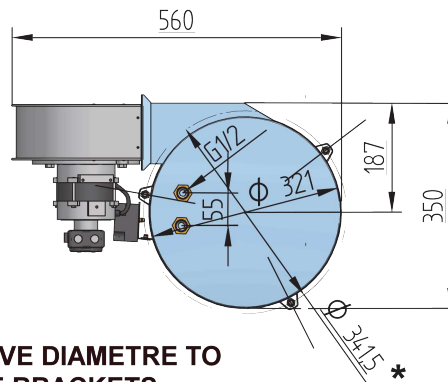
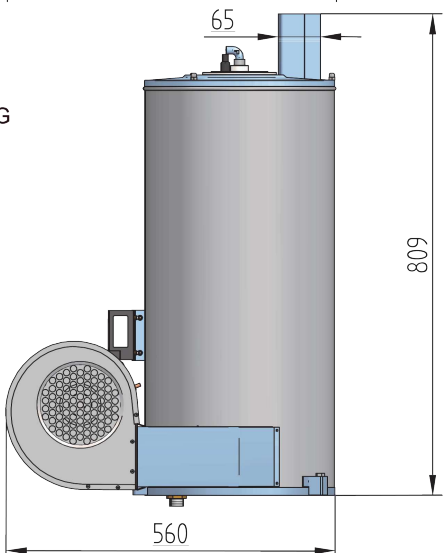
**T3000/2**  
3/8" PIPE  
28,5 MT LONG



**T3000/3**  
3/8" PIPE  
38 MT LONG



**T3000/4**  
1/2" PIPE  
37 MT LONG



**\* INDICATIVE DIAMETRE TO PLACE BRACKETS**